

# Gerber Rotary Valve Distributor OPTIONAL FEATURES

**RAPAT**  
CORPORATION



## ■ ELECTRIC DRIVE -

(Above) All units are available from the factory with electric drive. Manual units easily converted to electric drive while installed— no costly teardown for conversion! Electric drive is direct connected— none of the problems associated with chains or gears.

## ■ EXTENDED WEAR OPTIONS -

Heavy-duty inner parts and outlet ducts are attained by using optional liners.

## ■ OPTIONAL LINERS -

Optional liners include Urethane and Abrasion Resistant Steel.

## ■ LIMIT SWITCH-

Limit switch available in place of computer controlled unit.

## ■ OPTIONAL MATERIALS -

Special galvanized and stainless steel units available.

## ■ SPLIT HOUSING -

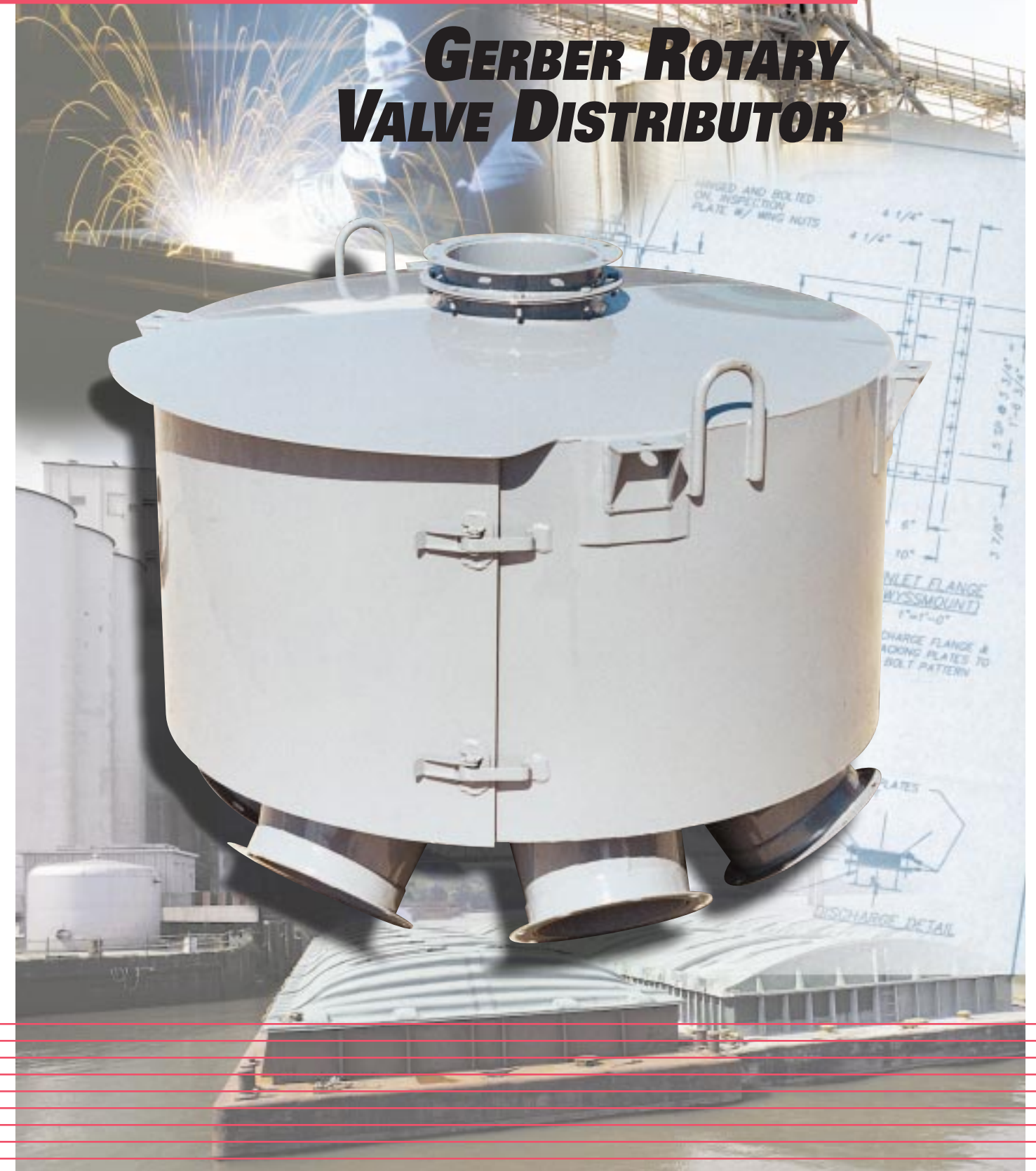
Units can be designed to split along the center, creating two separate, bolt-together halves. The perfect solution for difficult installations or shipping concerns for larger units.

## ■ FLAT BACK -

Designed for placement next to wall or bucket elevator. (Shown below).



# GERBER ROTARY VALVE DISTRIBUTOR



## RAPAT CORPORATION PRODUCT LINE CARD

### CONVEYORS

- ENCLOSED BELT
- BAGGING
- CLEATED BELT
- TRUCK & RAILCAR UNLOADERS
- FLEXIBLE SIDEWALL
- PORTABLE BELT
- FOOD HANDLING
- TROUGHING ROLLER
- PLASTIC & WIRE BELTS
- SLIDER BED
- STAINLESS STEEL CONSTRUCTION
- EN-MASSE (DRAG)
- CUSTOM CONVEYORS

### DISTRIBUTORS

- ROTO-FLO
- ROTARY VALVE
- SWING FLO

### BUCKET ELEVATORS

- COMPLETE BUCKET ELEVATOR ASSEMBLIES
- CUSTOM ACCESSORIES
- BACKLEG ROLL OPTIONS

### SCREW CONVEYORS

- TUBE TYPE SCREW CONVEYORS
- AUGER FLIGHTING

### HORIZONTAL UNLOAD POWERHEADS

- 25 DEGREE INCLINE POWERHEADS
- BIN UNLOAD TUBES WITH ROLLER SLIDE GATES
- BANJO SUMP BIN UNLOAD TUBES
- ELECTRIC / HYDRAULIC DRIVE KITS

### ACCESSORIES

- HOPPER CAR UNLOADERS
- TRANSFER SPOUTING
- CAST IRON TURNHEADS
- REVERSIBLE ELBOWS
- DRAW OFF SPOUTS

### INDUSTRIAL MATERIAL HANDLING SOLUTIONS THAT WORK!

At The Rapat Corporation, we approach each project with the intent of finding a better way to solve our customers problems by listening to their individual needs, and applying what we learn to best solve their specific material handling requirements.

Put our experience with some of the largest Fortune 500 Corporations to work for you— call toll-free today for more information.



# Gerber Rotary Valve Distributor FEATURES

## ROTARY VALVE DISTRIBUTOR

The Rotary Valve Distributor is available in many standard sizes and nearly unlimited custom sizes. The Rotary Valve Distributor is available in carbon steel, stainless steel or galvanized.

Other options include different outlet configurations (such as square or angled) and several types of abrasion resistant lining material for longer spout life.

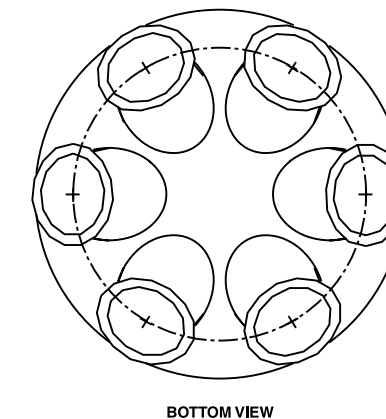
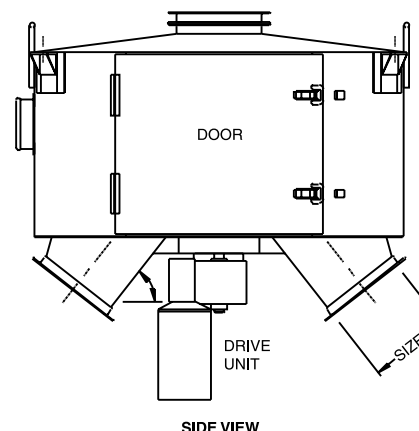
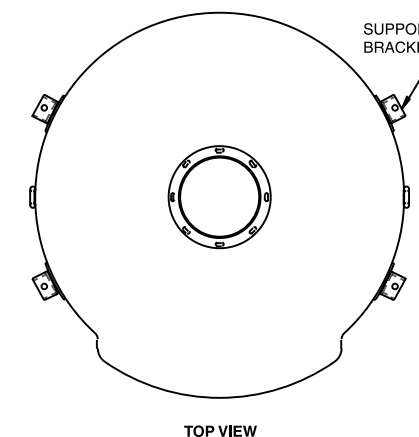
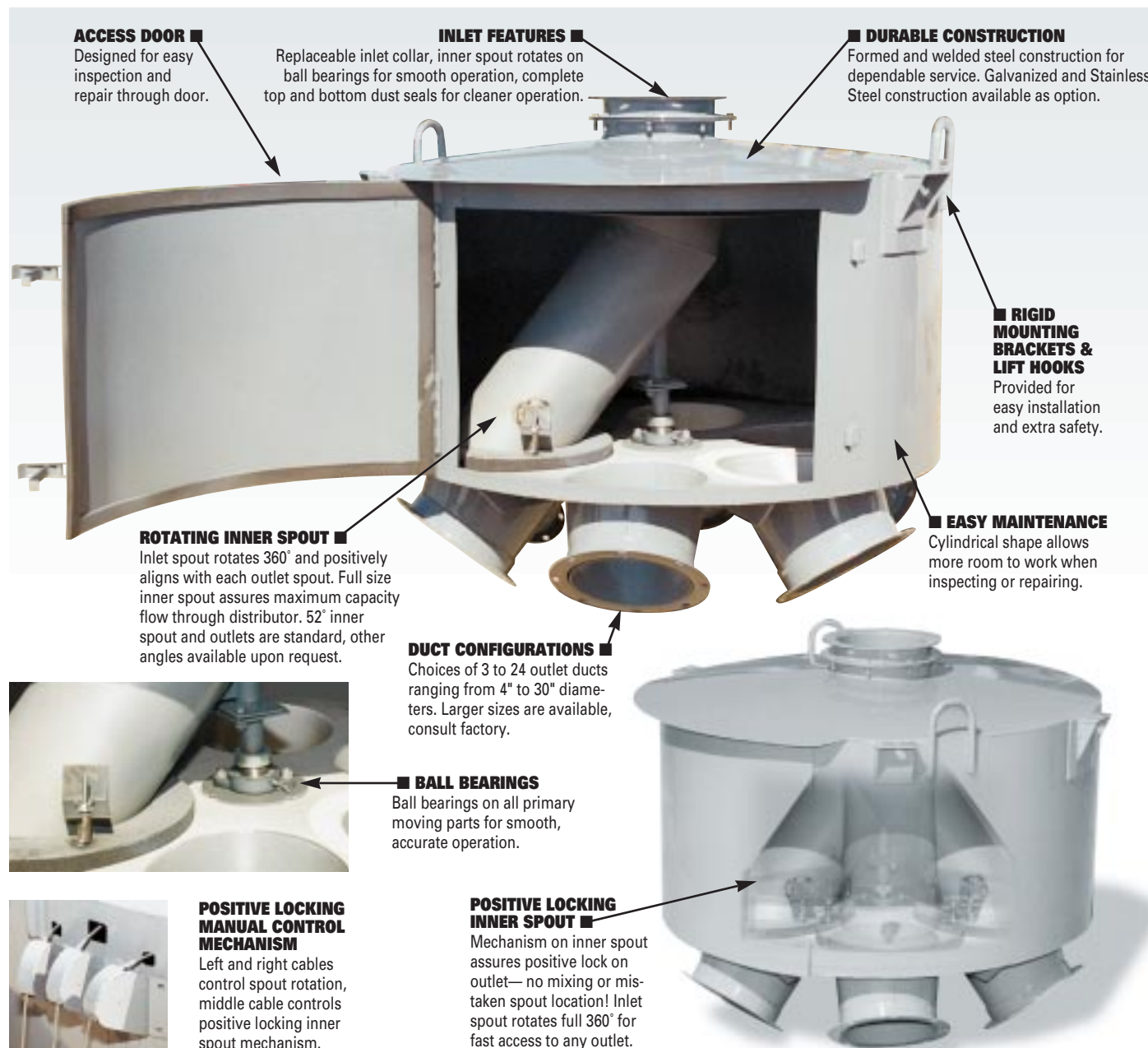
The Rotary Valve Distributor is designed for all-weather durability, allowing indoor or outdoor installation.

Rapat can also provide special features such as bi-directional drive and air plenum pick-up for dust control on any valve size.

All Rotary Valve Distributors are designed for safe, economical and trouble-free operation, and are available with manual or electronic control systems.

## STANDARD MANUAL CONTROL: GIVES YOU POSITIVE CONTROL

The inner spout of the rotary valve locks into its proper location and can be moved only when the operator unlocks and turns it to the next outlet. Its three cable controls can be operated at the valve, on the work floor, or at any alternate location by using the control cables and pulleys!



The center control cable releases the latch to unlock it when moving to the next outlet position, and the other two cable controls swing the inner spout to either side, allowing precise position control.

## ELECTRIC ROTARY VALVE

All Rotary Valve Distributor models are available as electrically-controlled units with a control panel for remote control operation from your office, driveway or other convenient location(s). Multiple control panels are also available, so that the Rotary Valve Distributor system may be controlled at different locations throughout your operation. All units are available from the factory with electric drive. Manual units easily converted to electric drive while installed—no costly teardown for conversion!

The control system includes an intrinsically safe proximity sensor with barrier relay and brake panel to position the inner spout; and a remote control panel, digital position readout with malfunctions displayed.

## ELECTRIC ROTARY VALVE

Most electrical components are mounted outside unit for dust-free operation.

Only 4 wires to connect distributor to control panel. Motor wires to be determined by electrician and run in a separate conduit.

Can be designed to interface with other automated control systems.

Built in error detection for positive spout location information.

Dynamic brake system for quick, accurate positioning over outlets.

Electronic control system allows spout to travel shortest distance to next selected position

Most electric units have direct connected drive—no more problems with chains or gears.

## SPECIFICATIONS

<b>Size</b>	800 to 45,900 bushels per hour.
<b>Controls</b>	Manual or Electric controls are available for all installations.
<b>Ducts</b>	4" to 30" diameter, in 2" increments.
<b>Intake</b>	Single intake only.
<b>Discharge</b>	Up to 24 Discharge Ducts on lower capacity units. Number of discharges may decrease with higher capacity units.
<b>Standard Construction</b>	Carbon steel body with carbon steel inner parts. Ball Bearings on all primary moving parts. Top and bottom dust seals included.

All specifications subject to change without notice.

## ROTARY VALVE SIZE AND CAPACITY CHART

SIZE	4"	6"	8"	10"	12"	14"	16"	18"	20"	22"	24"	26"	28"	30"
<b>CAPACITY CU. FT./HR.</b>	1,000	2,250	4,000	6,300	9,100	12,400	16,100	20,400	25,200	30,700	36,400	42,900	49,800	57,100
<b>CAPACITY BPH</b>	800	1,800	3,200	5,100	7,350	10,000	13,000	16,500	20,400	24,700	29,400	34,500	40,000	45,900

Special size units are available. Please consult factory for more information.

**RAPAT**  
CORPORATION